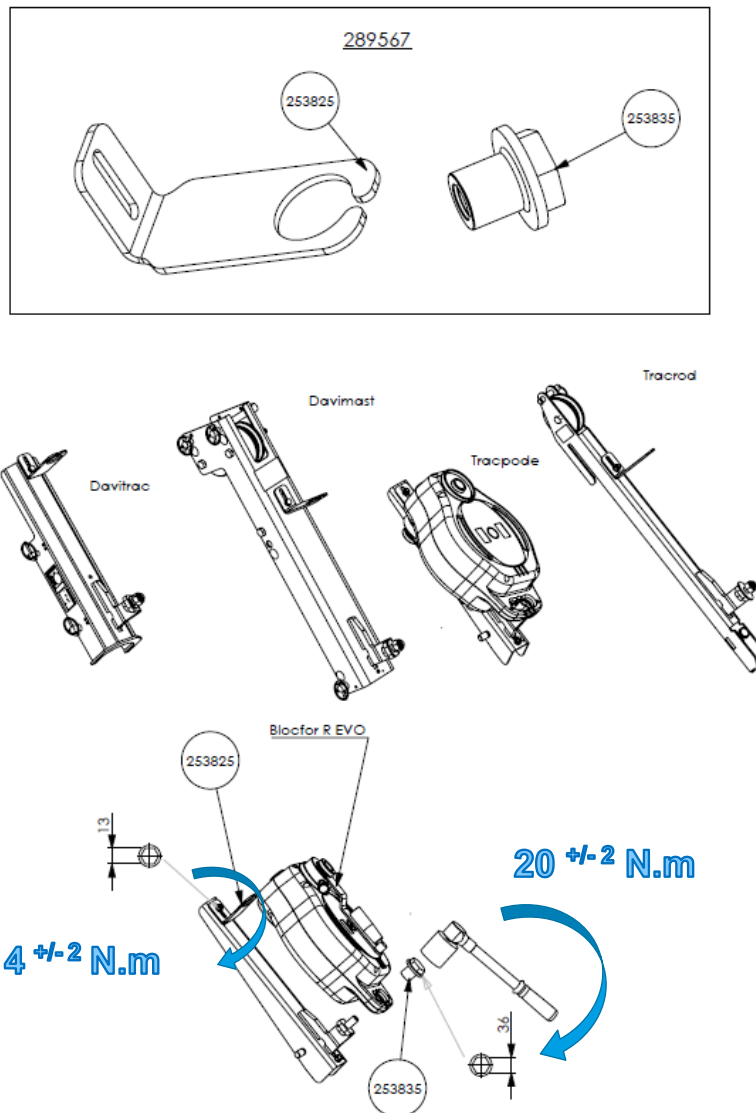


APPLICATIONS

Adaptation kit allowing installation of Blocfor™ R EVO on older Tractel consoles.
This kit is composed of:

- A painted steel cable entry bracket
- A special aluminium nut allowing to lock the Blocfor™ R EVO to the old Tractel brackets

TECHNICAL CHARACTERISTICS



APPLICABLE STANDARDS

- No standard applicable

EXISTING PRODUCTS

Code	Description	Weight (kg)	Size (mm)
289567	Adaptation kit for Blocfor™ R EVO on older Tractel consoles	0.220	110 X 40 X 30

LOGISTIC INFORMATION

Code	Description	EAN Code	Weight (incl. packaging) (kg)	Packaging size (mm)
289567	Adaptation kit for Blocfor™ R EVO on older Tractel consoles	3600232895671	0.340	130 x95 x95